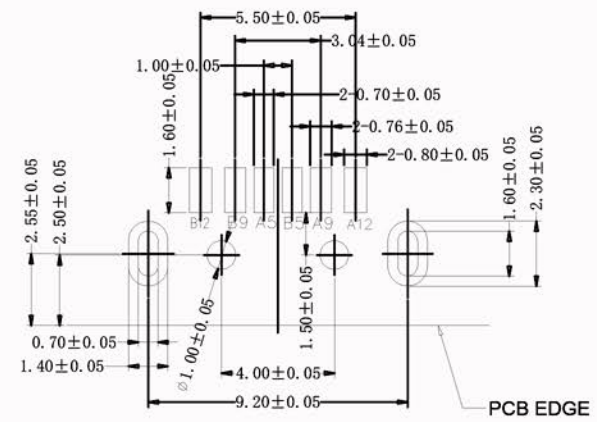
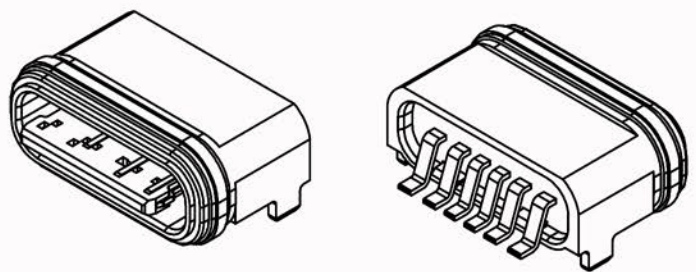
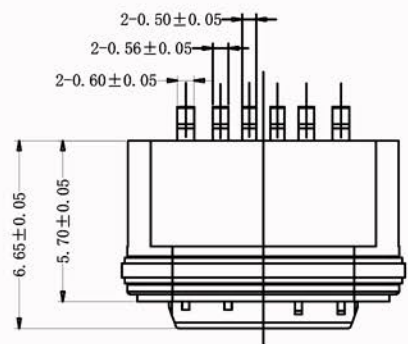
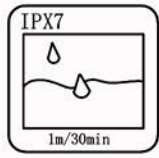
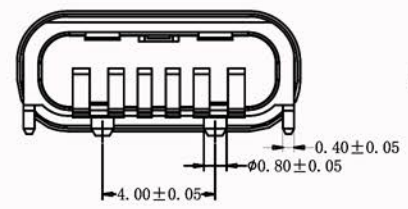
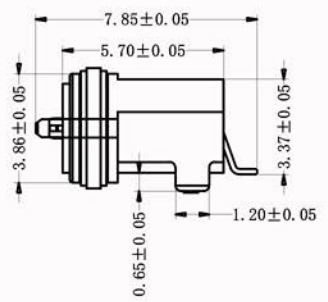
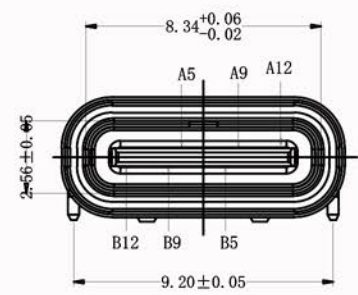




REV.	ZONE	DESCRIPTION	DESIGN	DATE
B		NEW		



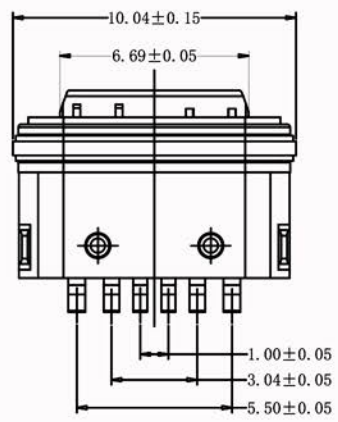
PCB LAYOUT 图仅供参考



- Note:
- Material:
    - Housing: LCP
    - Contact: C7025, t=0.20mm
    - Shell: SUS316
  - ELECTRICAL:
    - CURRENT RATING:
      - VBUS AND GND CONTACTS RATED AT 1.25A PARALLELED FOR A TOTAL OF 5A;
    - INITIAL CONTACT RESISTANCE : 40 MEGOHMS
    - DIELECTRIC WITHSTANDING VOLTAGE: 100V AC MIN;
  - MECHANICAL CHARACTERISTICS:
    - MATING FORCE: 5~20N
    - UNMATING FORCE: 8~20N (INITIAL), 6~20N (AFTER 10000 CYCLES)
    - FREQUENCY: 200±50 CYCLES / HOUR, 10000 CYCLES
    - OPERATING TEMPERATURE ; -40° ~80° .

TABLE B

A5	CC1	B12	GND
A9	VBUS	B9	VBUS
A12	GND	B5	CC2
PIN	SIGNAL NAME	PIN	SIGNAL NAME



X.	±0.50	X.*	± 2*
.X	±0.30	.X*	± 1*
.XX	±0.10	.XX*	± 0.5*
.XXX	±0.05		

UNITS	SHENZHEN VISTAR ELECTRONICS CO., LTD.		
mm	TITLE:		
	TYPE-C 6PIN板上型防水母座 后两脚 粉末冶金		
MAT'L	APPD:		DWG NO.:
	CHKD:		USB-TC06-FW06
FINISH	DR:		SCALE SHEET REV.
Q'TY			1/1 1/1 A1