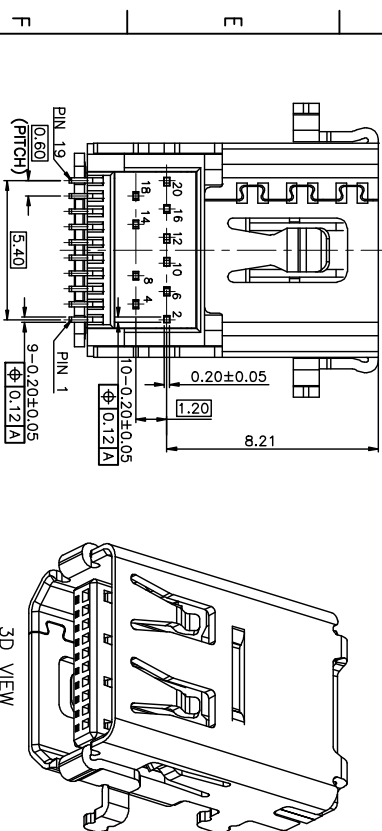
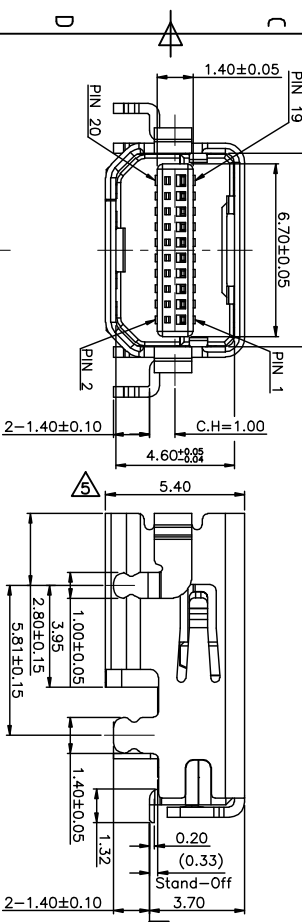
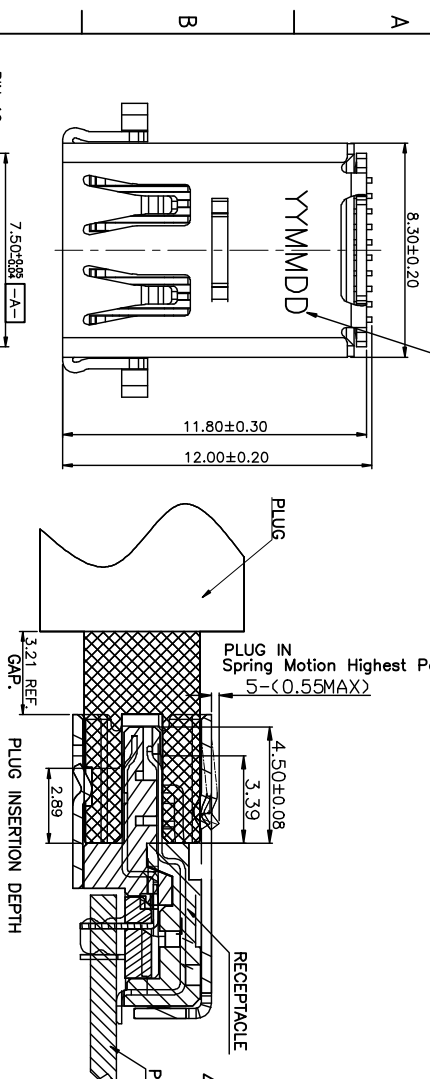
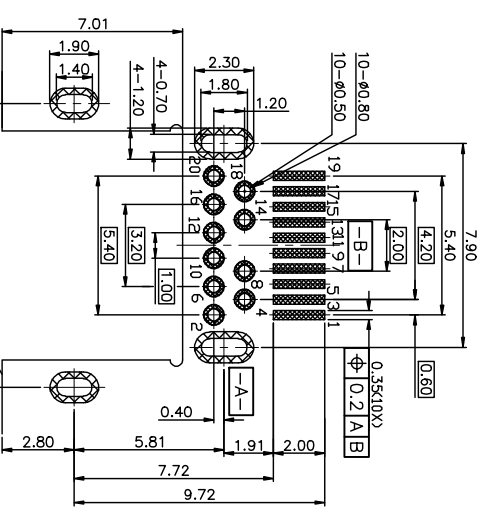
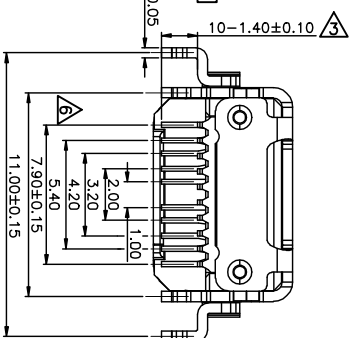


DATE CORD: YYMMDD
(YY=YEAR; MM=MONTH; DD=DAY)



- NOTES:
- MATERIAL:
 - SHELL: SUS304-1/2H
 - HOUSING: LCP E130I UL94V-0 BLACK
 - TERMINAL: C2680-H
 - PLATING:
 - TERMINAL: 1~3u" GOLD PLATING ON CONTACT AREA, 60~150u" MATTE TIN PLATING ON SOLDER AREA, 40~100u" NICKEL PLATING UNDERPLATING OVER ALL;
 - SHELL: NICKEL PLATED 50u" MIN.



RECOMMENDED PCB LAYOUT(TOP VIEW)
(TOLERANCE=±0.05mm)

REV.	REVISOR NOTE	DATE
1	NEW DRAWING	2015-10-06

SCALE	UNIT	DRAWN BY	DATE
1:1	MM		

SIZE	CHECKED BY	DATE
A4		

GENERAL TOLERANCES
(UNLESS SPECIFIED)

X	± 0.45	X	± 1
.X	± 0.35	.X	± 0.5
.XX	± 0.25		
.XXX	± 0.05		

APPROVED BY DATE

TITLE: MINI DISPLAY PORT RECEPTACLE TYPE

DRAWING NO. C-DP06-02

PART NO. DP-MN-F03

CUSTOMER DRAWING SHEET 1 OF 1 Rev. 7

Shenzhen Vistar Electronics Co., Ltd