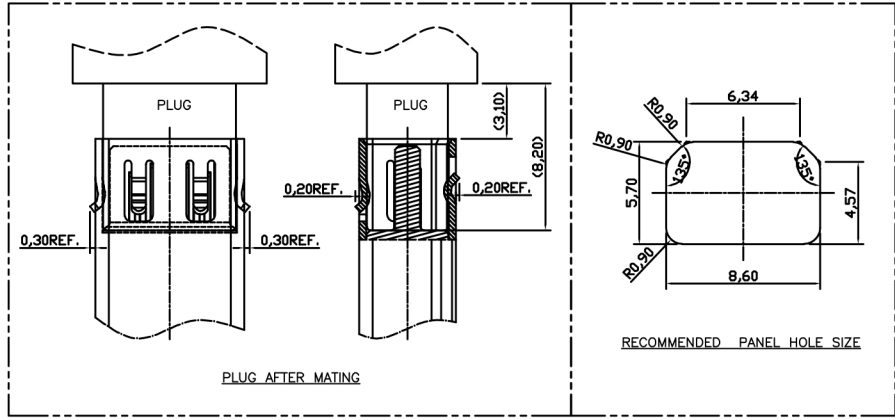
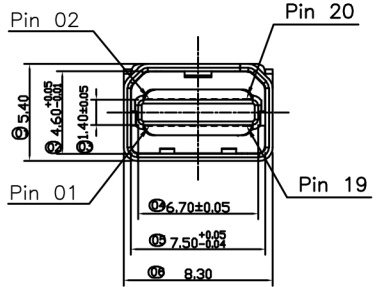
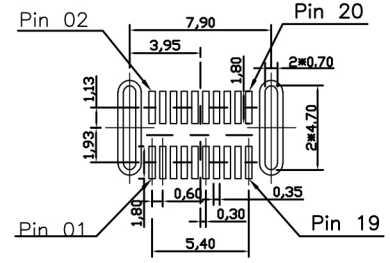
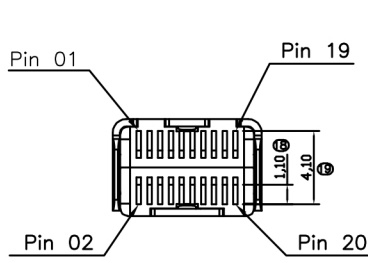
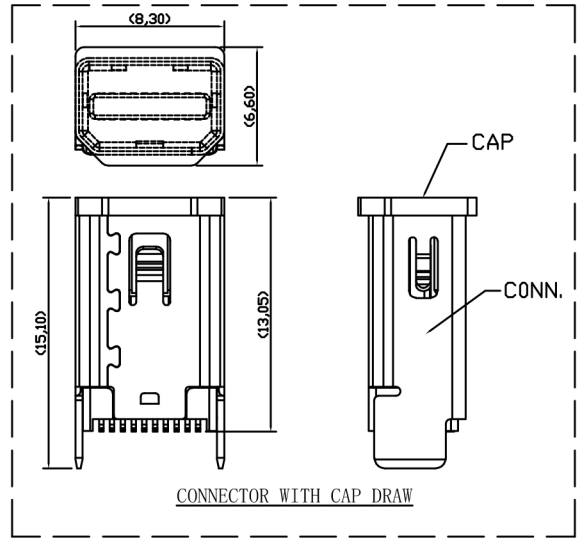
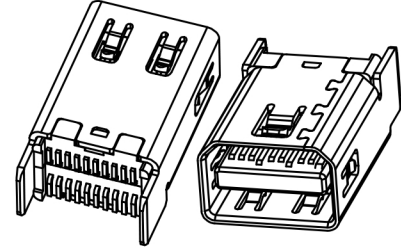
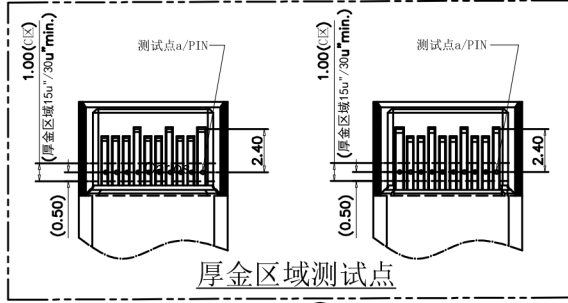
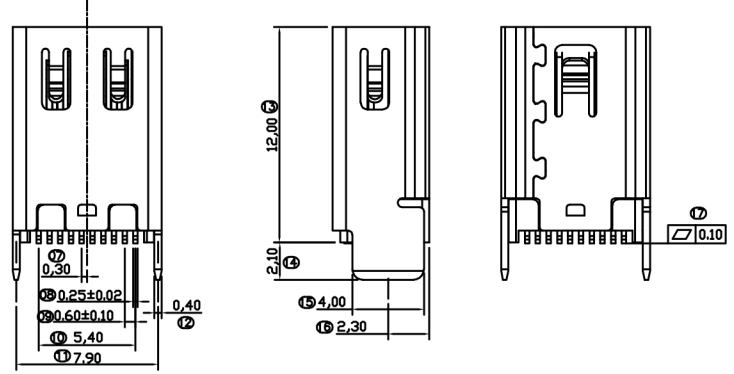


GP Component

REV.	ECN NO.	LOCATIONS	DESCRIPTION	DATE	DESIGN
A0			原始版本(INITIAL EDITION)	2024.3.12	Carlos



- Matters needing attention:
- Materials:
 - Insulator: LCP (E130i), UL94V-0, Color: Black.
 - Cap: LCP, UL94V-0, Color: Black.
 - Contact: Brass (2680).
 - Shell: SUS304.
 - Finish:
 - Contact: Male female plug-in contact area gold plated 30u", overall nickel plated, minimum 30u", Gold plating G/F on the welding joint area
 - Shell: 50u"MIN. overall nickel plated.
 - Specification:
 - Rated current: 0.5A.
 - Contact resistance: maximum 50m Ω.
 - Insulation resistance: minimum value of 100M Ω.
 - Dielectric withstand voltage: AC 500V/minute.
 - Working temperature: -25 °C to +85 °C.
 - Durability: 10000 cycles.
 - Others:
 - This component and its homogeneous joint components comply with RoHS standards.
 - Resistance to 260 °C welding heat for 10 seconds.



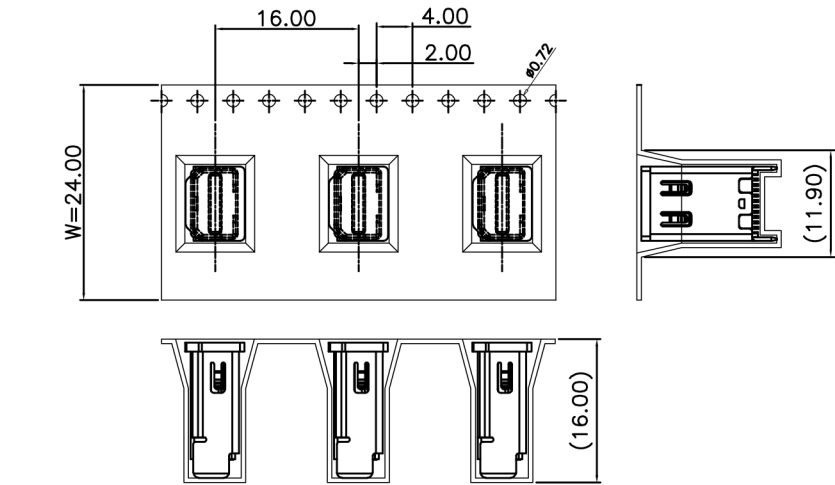
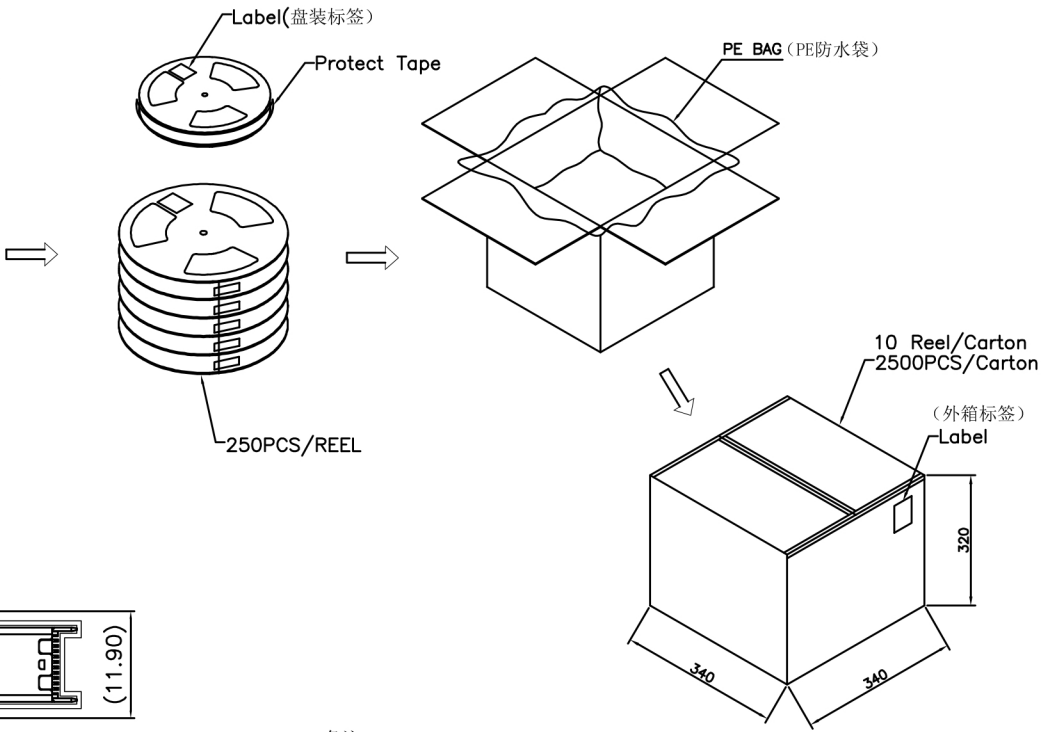
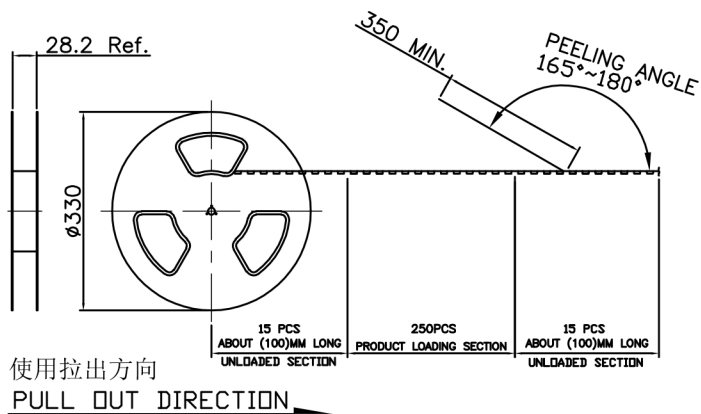
RECOMMENDED P.C.B. LAYOUT (T:1.20~1.60mm)

Shenzhen Vistar Electronics Co.,Ltd

TOLERANCE: X. X.X ±0.30 X.XX ±0.20 X.XXX ±0.10 X.±3° X.X°±1°	DESIGN BY : Carlos	DATE : 2024.3.12	PART NAME: MINI DP-SMT直立式(无卷边)带胶盖	
 UNIT: mm SCALE:1:1 SIZE:A4	CHECKED BY:	DATE :	PART NO.	DP-MN-FO2
	APPROVED BY:	DATE :	MOLD NO.	NA
			DRAW NO.	
			SHEET NO.	01 OF 02

GP Component

REV.	ECN NO.	LOCATIONS	DESCRIPTION	DATE	DESIGN
A0			原始版本(INITIAL EDITION)	2024.3.12	Carlos



- 备注:
1. 把下载带送入载带机进行调整, 然后将产品按照指定的方式摆入下载带中, 开动卷带机进行卷装 (每卷包250PCS), 卷装完成后需用上带缠绕最少20CM; (上带为自沾式)
 2. 在卷装OK的每卷盘面的指定位置上贴物料和RoHS标签, 装入纸箱内; 每箱装10盘. 外箱上依客户要求贴上相应的标签.
 3. 纸箱用封箱带将其封好, 胶带要求工字型, 不可遮住出货标签;
 4. 如果客户对包装标签另有要求, 请按客户要求作业; 有未满足之零数箱需用缓冲材料填充;
 5. 上载带剥离力: 0.2-1.2N. ;

PACKAGING BY T&R	/ G/W KG	/ N/W KG	250 PCS/ REEL	10 REELS/ BOX	2500 QUANTITY (PCS)	DP-MN-FO2 PART NUMBER
------------------	----------	----------	---------------	---------------	---------------------	-----------------------

Shenzhen Vistar Electronics Co.,Ltd					
TOLERANCE: X. X ±0.30 X. XX ±0.20 X. XXX ±0.10 X. ±3° X. X°±1°	DESIGN BY :	DATE :	PART NAME:		
	Carlos	2024.3.12	MINI DP-SMT直立式(无卷边)带胶盖		
 UNIT: mm SCALE: 1:1 SIZE: A4	CHECKED BY:	DATE :	PART NO.	DP-MN-FO2	
			MOLD NO.	NA	
	APPROVED BY:	DATE :	DRAW NO.		
			SHEET NO.	02 OF 02	